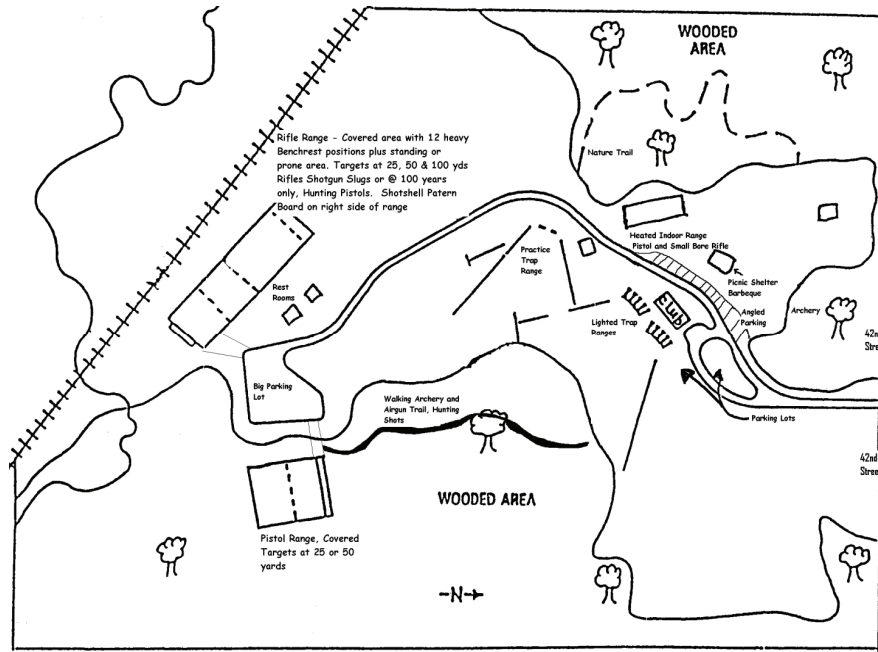


2006



Ikes Grounds Map, Linn County Chapter, Cedar Rapids, Iowa

Ikes Pledge

“To strive for the purity of water, the clarity of air, and the wise stewardship of the land and its resources; to know the beauty and understanding of nature and the value of wildlife, woodlands and open space; to the preservation of the heritage and to man’s sharing in it . . .”

Mission Statement

To conserve, maintain, protect and restore the soil, forest, water and other natural resources of the United States and other lands; to promote means and opportunities for the education of the public with respect to such resources and their enjoyment and wholesome utilization.

Linn County Chapter Izaak Walton League of America

5401 42nd Street NE (Street Address)
PO Box 74404 (Mailing Address)
Cedar Rapids, Iowa 52407
(319) 393-6624 for our Information Line
<http://www.izaak-walton.org/index.htm>



*Defenders of the Soil, Air,
Woods, Waters and Wildlife*

November 2006

The Linn County Chapter of the Izaak Walton League of America

Serving Linn County Since 1945

Member Information Handbook

General Information

Range Rules

Safety Information

Chapter Policies

Chapter Goals

To promote the safe use of firearms in hunting, shooting sports, target shooting and competition.

To promote the interest of the youth of our community to enjoy all of our sponsored outdoor activities and interests.

To provide a proper knowledge of these through the use of education programs and various events.

To provide a safe place to enjoy archery and the shooting of firearms on well maintained ranges.

To come together to combine our efforts and resources to make these things possible even though we come from a diverse population.

To do these things in such a manner as to insure that any member in good standing, obeying our rules, can participate in a safe and harassment free environment.

Welcome to the Linn County Chapter

When you are out on the grounds, we have been surrounded by the City of Cedar Rapids. Our continued existence is based on everyone conducting themselves in a safe, responsible and non disruptive manner. Members and their guests must obey all the written and posted rules, then apply common sense behavior. The Ikes Board of Directors and the members of the League have build up a great infrastructure of safety ranges, buffers, baffles and barriers. The physical layout of the property is the first step, your behavior in the last. We must all be good members, good sports and good neighbors when we are shooting. This facility is for education and safe entertainment!

Important Notes:

We are a volunteer organization. We have **NO Paid Staff**. Every activity, project, repair, education class, grass cutting, cleanup, or snow plowing is done by someone who gives their time to help the Club. We cannot ask more of them unless we are each willing to give more ourselves. This fact will limit the number of events that can be held each week. Your monthly **Ikes Newsletter** is your best source of current information, please take a look at it for the calendar of events and important updates, projects and range information.

New Member Tours are held **only on Saturday Mornings at 8:00 AM Sharp**. A volunteer will be at the Indoor Range to start a **new member tour and orientation**, sign up new members and handle gate cards.

Membership Meetings are held Quarterly on the 3rd or 4th **Thursday** of that month and feature a very good meal served from 6:30 to 6:55 PM. Cost varies depending on the meal and is less for children. A program of interest will begin around 7:00 and last from 30 to 60 minutes. You can most of your Ike business at the meeting.

Please Shut and Lock the Gate after you enter or leave, unless it is unlocked when you arrived. In general, leave it the way you find it. **Failure to lock the gate can result in your card being turned off and a charge to turn it back on!**

Bad Weather Policy at the Linn County Chapter: We have adopted a policy in the winter months matching the Cedar Rapids Public Schools. If they are closed or close early, then any of our scheduled activities are also canceled and we are closed. We can not advise driving to the lower ranges with snow/ice. The Tractor has the Right of Way!

Indoor Range will be open during the indoor season, **when a volunteer is available**. The range will be open Tuesday nights from 6:30—8:30 PM, Saturday 8:00 AM to 3:00 PM, Sunday Noon till 3:00 PM when weather permits and Volunteers are available. If it is very nice or very bad weather, the range may close early or not open at all. (November through March)

Ikes Guest Policy

Members are welcome to bring Guests to Membership Meetings, Trap Shoots and the Indoor Range. For the Rifle, Pistol and Practice Trap Ranges it is One Guest at a time and One Time per Guest. The Guest must wear a Guest Tag! If you have a special request call Bob Godlove

Safety is the responsibility of everyone on the Chapter Grounds

Just as you can't be just a little bit pregnant nor can you be just a little safe. You, your family and guests, other members and our neighbor's safety depend on each of us obeying all the rules posted, printed and just using good sense. Please be safe and have a good time on our ranges. They are here for your enjoyment. As we have no maid service, clean up your mess and brass when done. Good Shooting!

Indoor Pistol Range

1. Pistol shooting and .22 rimfire rifle shooting only.
2. **Authorized Range Officer must be on duty at all times.**
3. No shooting off the bench or walls.
4. **Only lead or Full Metal Jacket (FMJ) ammunition is allowed.**
5. Ammunition is not to exceed .45 caliber.
6. There will be an additional fee for members to use this range. Guests and non members will pay the non member fee.
7. **All rules and regulations will be administered by the certified range officer on duty.**
8. This is normally a seasonal use Range, Late October though early April, weather dependent. If it is too nice or too nasty it may be closed. A Range officer must be present to open the range.
9. **No shooting is allowed from in front of the firing line benches.**

Archery Range

1. Archery shooting permitted only in the designated archery areas.
2. Shoot at conventional paper or 3D targets.
3. Most general range rules apply.
4. Tree stands are provided. No other tree stands are permitted.
5. The use of tree steps is not permitted.
6. No handling of bows for any reason while anyone is down range.

Walking Trails, for Archery and Air Gun Practice

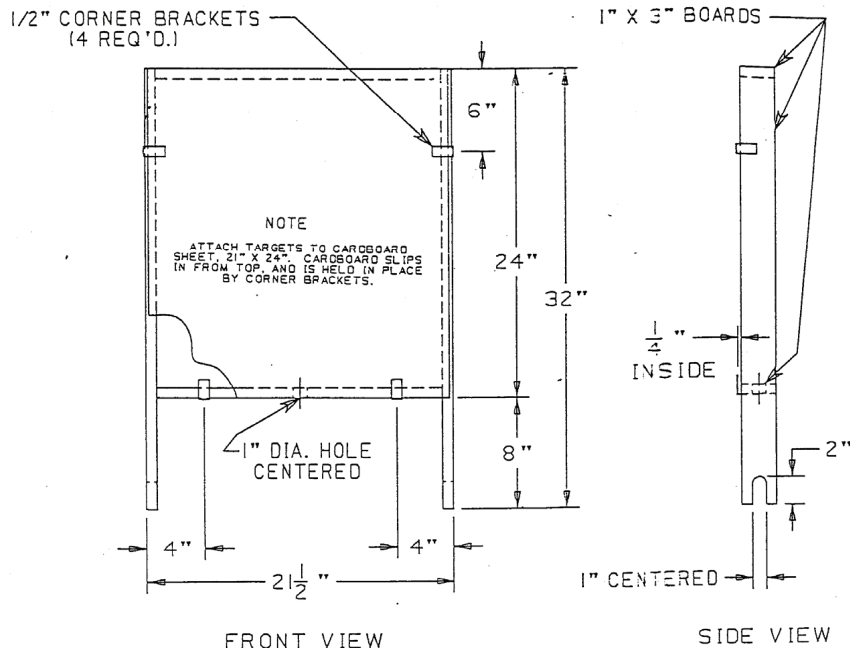
This trail is for the purpose of getting to shoot a hunting style shot in the woods. The Air Rifle targets are suitable for pellet rifles and pellet pistols. These ranges have no additional safety rules. General range rules apply. They are to be used with **Air Guns or Arrows only**. No other firearms are permitted. **Note: If you hear people shooting trap, you are no longer safe on the trail.**

We need and expect that members will help out their club with projects or general manpower from time to time. These facilities could not exist without your help. The alternative to member volunteer work would mean the end of some programs and an increase in membership fees so that we might hire outside labor to do necessary tasks. The Board of this local Ikes Chapter has done many things to increase other sources of income while reducing your annual member fees so that you are only paying about half the total costs of membership, programs and facilities. Outside of our Quarterly meal and program and Chapter House Rentals, we are self-supporting through dues. Trap and Indoor Range fees make those activities break even at best. If you cannot find time to help, we can always increase your dues. To add or substantially improve any facility we will need additional money and help from the membership.

Outdoor Pistol Range

1. Pistol or pistol caliber guns only; includes muzzle loaders, rimfire and centerfire handguns. Normal Pistol ammo only No Bottlenecks.
2. No fully automatic firearms.
3. No armor-piercing or tracer ammunition.
4. Shooting is allowed only at paper targets or NewBold brand name plastic targets using an approved pistol frame. Shooting at anything else, anywhere else is not allowed.
5. **No shooting is allowed from in front of the firing line benches.**
6. No shooting directly off the benches. You must have at least 12" of support under the gun if rested on the bench!
7. Do not use the walls as support for shooting.
8. No Holstered handguns allowed.
9. **Do not handle or touch a gun while someone is down range.** When the "Line is Safe" then all handguns are to be unloaded, on the bench or in a box/case, with the slides of Pistols open and the magazines out. Revolvers need to have their cylinders open.
10. No Bottleneck cartridges unless they are special **pistol** versions.
11. **All bullets fired must hit the range backstop or you are unsafe!**

Please be courteous to other shooters needing to go down range to check or change their targets. Shooters should be able to go down range about every 10 minutes. When you change targets do so quickly!



Range Rules, All Ranges

- ⊙ All firearms must be handled in a safe manner at all times. Always keep the muzzle pointed in a safe direction (down range).
- ⊙ All firearms must be unloaded and in a case when entering or leaving the shooting range. A firearm may be carried with its action open within a range.
- ⊙ The wearing of holstered firearms and/or concealed weapons is not allowed on the grounds except by law enforcement officers.
- ⊙ Eye and ear protection must be worn by **everyone on any range.**
- ⊙ The use of ranges is for members and their guest only. Persons 18 or under must be accompanied by an adult (19 or older, exception that on the pistol range, the accompanying adult must be 21 years of age or older). At no time can we have children or others running around or being disruptive on any range. The Family of Members must wear a Ikes Family Tag.
- ⊙ Load and shoot only at the shooting stations of the appropriate range, and nowhere else. Shoot at paper targets or NewBold brand name plastic targets using approved target frames only. Trap shooters at approved clay targets only.
- ⊙ Always check to be sure the line is safe before going in front of the firing line. "Safe" means: Gun unloaded, Action or cylinder open, Gun on the bench or in the box. Allow others using the range time to go forward of the firing line to setup or remove targets.

Never touch any gun while someone is forward of the firing line.

- ⊙ Persons under the influence of alcohol or drugs are banned from all ranges.
- ⊙ Shooting hours are from 8:00 am to 8:00 pm **or sunset – whichever comes first.** The outdoor ranges are open 365 days a year, except when closed for organized shooting events or work days. These closures are usually (but not always) announced in the monthly newsletter. The indoor pistol range is open from approximately October through April, depending on the weather. The rental of the Chapter House does not close the ranges, except by special need.
- ⊙ Weather dictates road conditions to the ranges. **Enter at your own risk.**
- ⊙ All range commands at any of the ranges must be followed without question!
- ⊙ The range officer has final authority on all questions concerning range matters.
- ⊙ Any gun in the chapter house or anywhere on the grounds, must have its action open and be unloaded (including dummy rounds) just as it would need to be on our ranges. If it needs to be moved the action is open and the muzzle is up!
- ⊙ Do **NOT** wear hearing protection when going forward of the firing line, you can not hear range commands or issues.
- ⊙ Clean up any mess you make on all ranges. Brass, shotshells, patches, food or trash of any kind needs to go into the appropriate container.
- ⊙ The deliberate or negligent damage to any range will be dealt with in the most severe terms!
- ⊙ **No one is allowed in front of the Shooting Bench during live fire!**
- ★ **All Bullets must hit the backstop of that range or you are unsafe**

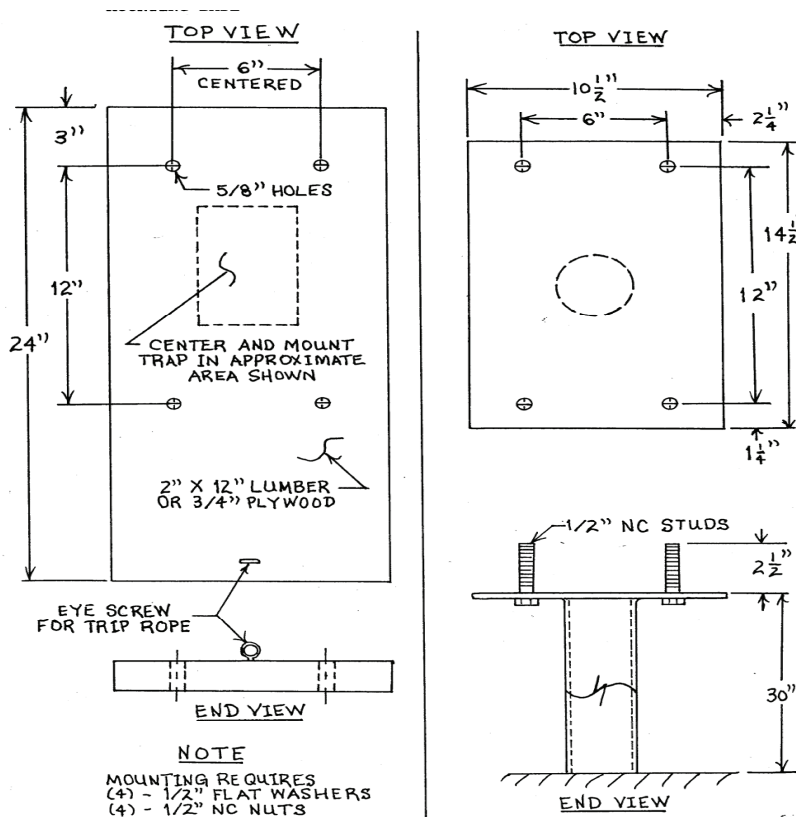
Members must display their Membership card on their person or equipment at all times while using the ranges. We will do random checks to verify membership. All Family and any Guest of Members must wear Ikes Tags when on the Ranges or a \$5 Fine will be imposed!

Linn County Ike Family member is defined as a significant other and/or children under 22 years old still living at home.

Trap Ranges

1. Only Shotguns or Muzzleloaders using shot are permitted.
2. **Shotgun slug shooting is only allowed on the Rifle Range** (using approved rifle target frames).
3. Shot shells using **#8 shot or smaller with Low Brass or Target Loads**. Field loads and larger shot sizes have a greater range and are unsafe!
4. Shooting is allowed at clay targets only.
5. Portable traps (such as Trius) are to be used only at the Practice Trap Range. These must be attached to the permanent steel stands provided by the Chapter as shown below.
6. No hand trap throwers are allowed anywhere on the grounds.
7. A **Shotshell Patterning Board** is provided on the right side of the Rifle Range for your use. You can paint it or just tape a target to it. This Patterning Board and the trap range are the only places you can use shotshells at the Ikes.

The use of our Regular Trap range is by appointment or group activity. All rules apply. Shooting from standard trap positions only!



Rifle Range

1. Rifle shooting, including Muzzleloaders, shotguns with slugs, Center Fire and Rimfire rifles fired from within the range building.
 2. Handguns for hunting are ok with target at 100 yards only!
 3. **Your bullet (or slug) must be fired at a target mounted high enough on the frame to hit the backstop.** With a .22 rimfire that will be at the top of the frame. Bullets that are fired in such a way as to ricochet off the ground in front of the backstop are unsafe.
 4. No fully automatic firearms.
 5. No armor-piercing or tracer ammunition.
 6. Targets must be paper, cardboard or NewBold brand plastic using an approved rifle target frame.
 7. Shooting at anything not attached to your frame is prohibited.
 8. A small berm has been set at 50 yards on the left side of the range for prone shooters only.
 9. **Do NOT shoot the supports for the baffles!**
 10. Shotshells can only be fired at the Shot Pattern Board on the right.
- Please clean up your brass and other trash.**

